



## Semimotorized folding machines UNIM

UNIM, UNIMS, UNIMSH, UNIM2S, UNIM2SH, UNIM3S, UNIM3SH

A uniquely designed folding machine, which combine the advantages of manual and motorized machines. The contact pressure is exerted by hand, through the eccentric piece, and the bending force is provided by an electric motor, thereby achieving a cost-optimal solution. The machines of this type may be equipped with manual or motorized back gauge, which streamlines the work on the machine.

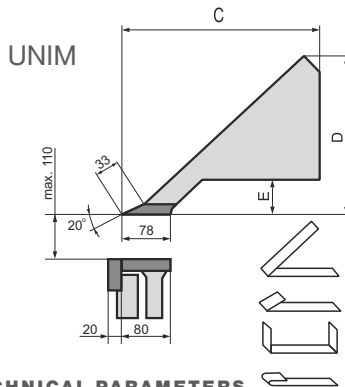
For easier alignment the sheet before folding, the machine may be equipped with a locking foot pedal for the clamping beam, which simplifies the work for the operator. For cutting thin sheet metal thickness up to 0,8mm, hand-operated rotary shears may be delivered. These machines are suitable for piece production, which in comparison with manual machines they achieve higher efficiency. They can be used in all industrial areas where one works with the material to 3,0mm thickness and 4m in length.

### STANDARD EQUIPMENT:

- clamping beam is operated manually
- folding beam is motorized
- tools according type of machines (page 5)
- manual adjustment of one folding angle, type MA (page 21)
- manual crowning adjustment for folding beam
- foot switch
- locking lever of clamping beam
- 3x400V, 5 meter cable

### SPECIAL EQUIPMENT:

- potentiometer for adjustment angle PT1 (page 21)
- touch control system NT1 (page 21)
- manual back gauge MOD, MPD (page 25)
- rotary shear up to material thickness 0,8mm
- blades and segments for stainless steel
- special shapes of blades and segments
- quick change segments
- marking segments with width in mm
- safety wire barrier
- extra foot switch (for 2. operator)
- tool cart
- power supply 3x230V
- customer colours



Work. length	C	D	E
1000	340	305	49
1250	340	305	49
1500	340	305	49
2000	340	305	49
2500	345	310	49
3000	345	310	49
3200	345	310	49
4000	345	310	49

Dimensions of the beams are in mm

For UNIM folding machines we recommend:  
Motorized shears MLS

### TECHNICAL PARAMETERS

Model	Working length mm	Max. sheet thickness steel 400N/mm <sup>2</sup> mm	Max. sheet thickness stainless 600N/mm <sup>2</sup> mm	Max. sheet thickness aluminium 275N/mm <sup>2</sup> mm	Opening blade/segment mm	Motor of clamp./ folding beam kW	Length mm	Width mm	Height mm	Weight kg	
UNIM, UNIMS, UNIM2S UNIMSH, UNIM2SH UNIM3S, UNIM3SH	10/30	1020	3,00	2,00*	5,00	140	1,1	1950	710	1280	860
	12/30	1270	3,00	2,00*	5,00	140	1,1	2200	710	1280	970
	15/30	1520	3,00	2,00*	5,00	140	1,1	2450	710	1280	1060
	20/25	2020	2,50	1,50*	4,00	140	1,1	2950	710	1280	1380
	25/20	2520	2,00	1,25*	3,00	140	1,1	3450	710	1280	1780
	30/15	3020	1,50	1,00*	2,00	140	1,1	3950	710	1280	2200
	32/15	3220	1,50	1,00*	2,00	140	1,1	4150	710	1280	2350
	40/10	4020	1,00	0,60*	1,50	140	1,1	4950	710	1280	2600

\* for stainless steel folding is needed to order hardened tools for stainless



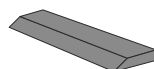
H.M. Transtech spol. s.r.o.  
Volgogradská 13/B, 080 01 Prešov, Slovakia  
tel.: +421 51 7718 516  
e-mail: sales@hmtranstech.com

WWW.HMTRANSTECH.COM

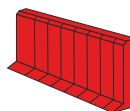


# UNIM STANDARD TOOLS

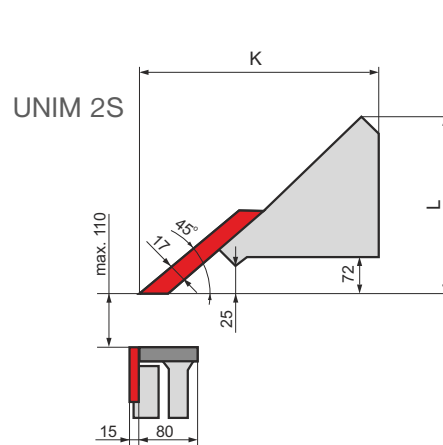
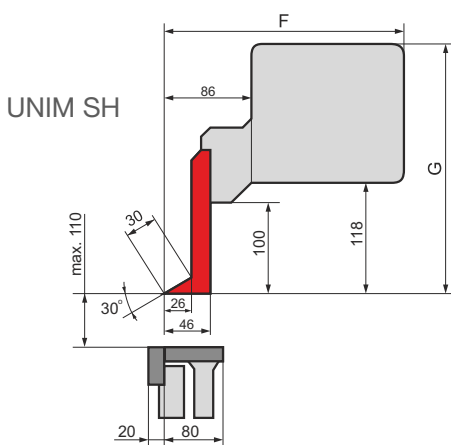
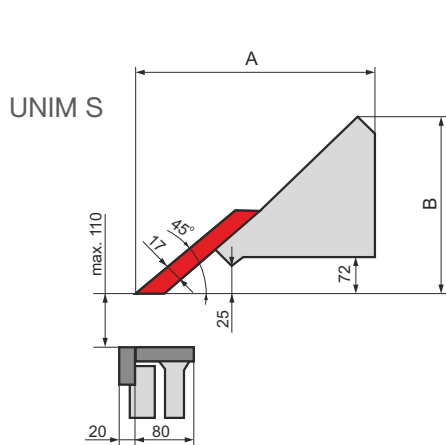
UNIM, UNIM S, UNIM SH, UNIM 2S, UNIM 2SH, UNIM 3S, UNIM 3SH



Gray tools - blades



Red tools - segments (divided blade)



Work. length	A	B
1000	360	335
1250	360	335
1500	360	335
2000	360	335
2500	370	340
3200	370	340
4000	370	340

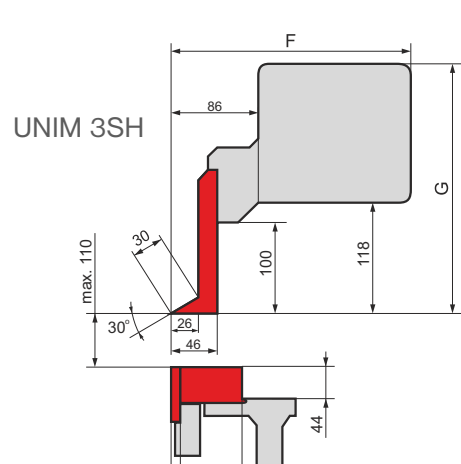
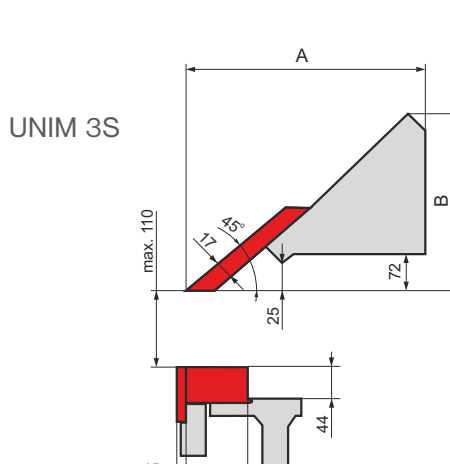
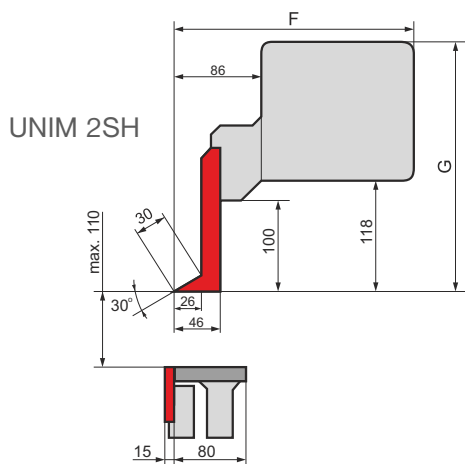
Dimensions of the beams are in mm

Work. length	F	G
1000	290	320
1250	290	320
1500	290	320
2000	290	320
2500	310	340
3200	310	340
4000	310	340

Dimensions of the beams are in mm

Work. length	K	L
1000	360	335
1250	360	335
1500	360	335
2000	360	335
2500	370	340
3000	370	340
3200	370	340
4000	370	340

Dimensions of the beams are in mm



Work. length	F	G
1000	290	320
1250	290	320
1500	290	320
2000	290	320
2500	310	340
3000	310	340
3200	310	340
4000	310	340

Dimensions of the beams are in mm

Work. length	A	B
1000	360	335
1250	360	335
1500	360	335
2000	360	335
2500	370	340
3000	370	340
3200	370	340
4000	370	340

Dimensions of the beams are in mm

Work. length	F	G
1000	290	320
1250	290	320
1500	290	320
2000	290	320
2500	310	340
3000	310	340
3200	310	340
4000	310	340

Dimensions of the beams are in mm