



Motorized folding machines TVM

TVM, TVM SH, TVM 3SH, TVM DUO, TVM S

Folding machines type TVM, as to the capacity belong among the high-end midrange products with folding lengths up to 4m for applications in various fields of industry, construction and services. Pairs of trapezoidal screws provide for the drive of the massive clamping beam.

The folding beam, which is of welded construction chamber design, is equipped with a folding blade or segments with adjustable convexity (crowning system). The drive is provided by one or two motors (in the 4m length).

Adjustment of the folding beam to the desired thickness of the sheet is very easy and fast, with quick fixators. Wide range of tools, including the use of segments of all three beams (3SH-superflex), as well as the possibility of using the DUO system, which allows the use on one machine for the clamping beam the rail and SH segments, makes the machine highly flexible. Machine control is by a foot pedal, for four meters in length, two pedals are generally supplied. For the production of long parts, the use of motorized back gauge is preferred to, which simplifies the operation for the operator.

STANDARD EQUIPMENT:

- tools according type of machines (page 15)
- manual adjustment of one folding angle, type MA (page 21)
- manual crowning adjustment for folding beam
- foot switch
- storage for blade (only for TVM DUO)
- 3x400V, 5 meter cable

SPECIAL EQUIPMENT:

- potentiometer for adjustment angle PT1 (page 21)
- touch control system NT1 (page 21)
- touch control system NT3, NT5 (page 22) or FF101 (page 23) with motorized back gauge 1000mm (page 25)
- touch control sytem FF-101 (page 23) with motorized back gauge for shape U, J, L and T (page 26)
- balls for back gauge
- squaring arm on right or left side for back gauge
- extension of back gauge (1500, 2000, 2500, 3000mm)
- manual back gauge MOD, MPD (page 25)
- motorized adjustment of folding beam
- blades and segments for stainless steel
- special shapes of blades and segments
- quick change segments
- marking segments with width in mm
- safety wire barrier
- extra foot switch (for 2. operator)
- tool cart
- power supply 3x230V
- customer colours
- welded frame for transport

For TVM folding machines we recommend:
Motorized shears **MPS** or **MPSH**

TECHNICAL PARAMETERS

Model	Working length mm	Max. sheet thickness steel 400N/mm ² mm	Max. sheet thickness stainless 600N/mm ² mm	Max. sheet thickness aluminium 275N/mm ² mm	Opening blade/segment mm	Motor of clamp./ folding beam kW	Length mm	Width mm	Height mm	Weight kg	
TVM, TVM S TVM SH TVM DUO TVM 3SH	15/50	1520	5,00	3,00*	6,00	200/90	1,10/4,0	2620	1150	1660	3350
	20/40	2020	4,00	2,50*	5,00	200/90	1,10/4,0	3120	1150	1660	3900
	25/35	2520	3,50	2,20*	4,75	200/90	1,10/4,0	3620	1150	1660	4500
	30/30	3020	3,00	2,00*	4,50	200/90	1,10/4,0	4120	1150	1660	5200
	40/20	4020	2,00	1,20*	3,00	200/90	1,10/4,0	5200	1150	1660	6600

* for stainless steel folding is needed to order hardened tools for stainless



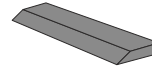
H.M. Transtech spol. s.r.o.
Volgogradská 13/B, 080 01 Prešov, Slovakia
tel.: +421 51 7718 516
e-mail: sales@hmtranstech.com

WWW.HMTRANSTECH.COM

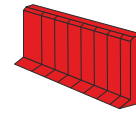


TVM STANDARD TOOLS

TVM, TVM SH, TVM 3SH, TVM DUO, TVM S

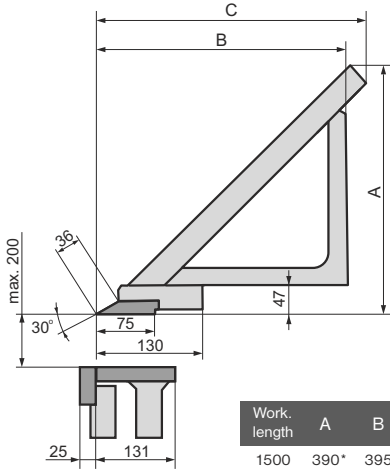


Gray tools - blades



Red tools - segments (divided blade)

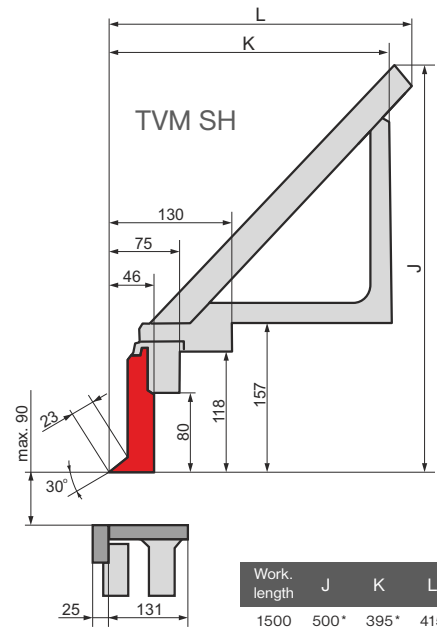
TVM



Work. length	A	B	C
1500	390*	395*	415*
2000	390	395	415
2500	460	445	485
3000	460	445	485
4000	485	470	510

Dimensions of the beams are in mm

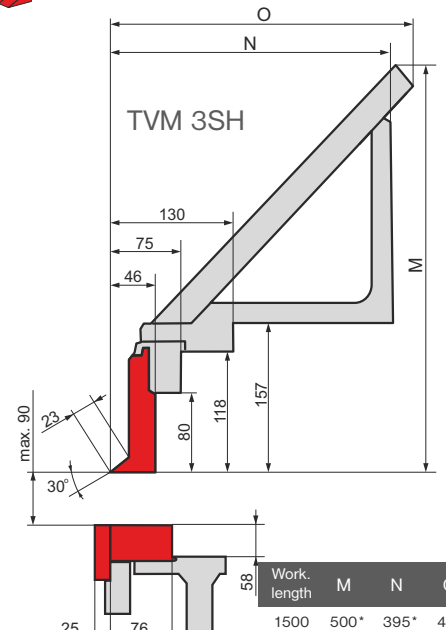
TVM SH



Work. length	J	K	L
1500	500*	395*	415*
2000	500	395	415
2500	570	445	485
3000	570	445	485
4000	595	470	510

Dimensions of the beams are in mm

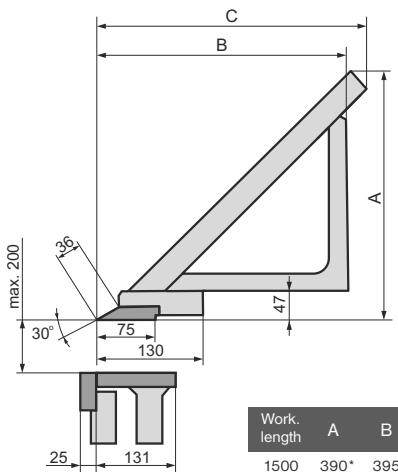
TVM 3SH



Work. length	M	N	O
1500	500*	395*	415*
2000	500	395	415
2500	570	445	485
3000	570	445	485
4000	595	470	510

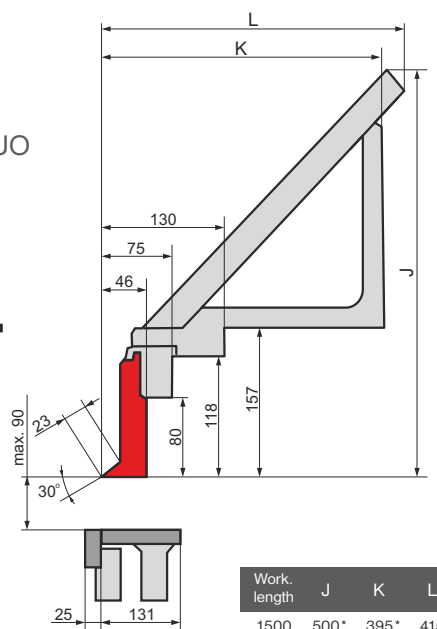
Dimensions of the beams are in mm

TVM DUO



Work. length	A	B	C
1500	390*	395*	415*
2000	390	395	415
2500	460	445	485
3000	460	445	485
4000	485	470	510

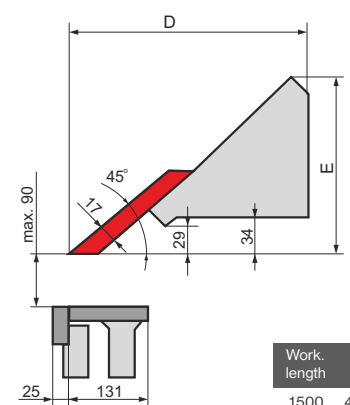
Dimensions of the beams are in mm



Work. length	J	K	L
1500	500*	395*	415*
2000	500	395	415
2500	570	445	485
3000	570	445	485
4000	595	470	510

Dimensions of the beams are in mm

TVM S



Work. length	D	E
1500	440*	375*
2000	440	375
2500	510	445
3000	510	445
4000	535	470

Dimensions of the beams are in mm

Other shapes and dimensions of tools consult the manufacturer. *Dimensions are informative