



## Motorized folding machines TSM

TSM, TSM SH, TSM 3SH, TSM DUO, TSM S

Motorized folding machines class TSM constitute a powerful mid-range device with a possibility of bending the products up to a length of 4m. The contact force is led out by a pair of trapezoidal screws on both sides of the clamping beam. The folding beam is of solid welded construction and equipped with a crowning system of the bar, which allows to achieve the required accuracy over the entire length of the bend.

Adjustment of the folding of the beam to the desired thickness of the sheet is very easy and fast through quick fixators.

Wide set of tools, including the use of segments of all three beams (3SH-superflex), as well as the possibility of using the DUO system, which allows one to use on a single machine the clamping beam rail and SH segments, which makes the machine highly flexible. Machine control is by a foot pedal, with the four-metres length, two pedals are generally supplied.

For the production of long parts, it is preferred to use a motorized back gauge, which simplifies the operation for the operator.

### STANDARD EQUIPMENT:

- tools according type of machines (page 13)
- manual adjustment of one folding angle, type MA (page 21)
- manual crowning adjustment for folding beam
- foot switch
- storage for blade (only for TSM DUO)
- 3x400V, 5 meter cable

### SPECIAL EQUIPMENT:

- potentiometer for adjustment angle PT1 (page 21)
- touch control system NT1 (page 21)
- touch control system NT3, NT5 (page 22) or FF101 (page 23) with motorized back gauge 1000mm (page 25)
- touch control system FF-101 (page 23) with motorized back gauge for shape U, J, L and T (page 26)
- balls for back gauge
- squaring arm on right or left side for back gauge
- extension of back gauge (1500, 2000, 2500, 3000mm)
- manual back gauge MOD, MPD (page 25)
- blades and segments for stainless steel
- special shapes of blades and segments
- quick change segments
- marking segments with width in mm
- safety wire barrier
- extra foot switch (for 2. operator)
- tool cart
- power supply 3x230V
- customer colours
- welded frame for transport

For TSM folding machines we recommend:  
Motorized shears **MPS** or **MPSH**

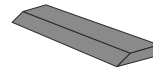
### TECHNICAL PARAMETERS

Model	Working length mm	Max. sheet thickness steel 400N/mm <sup>2</sup> mm	Max. sheet thickness stainless 600N/mm <sup>2</sup> mm	Max. sheet thickness aluminium 275N/mm <sup>2</sup> mm	Opening blade/segment mm	Motor of clamp./ folding beam kW	Length mm	Width mm	Height mm	Weight kg	
TSM, TSM S TSM SH TSM DUO TSM 3SH	<b>12/40</b>	1270	4,00	2,50*	5,00	200/90	0,75/3,0	2352	1100	1560	2300
	<b>15/35</b>	1520	3,50	2,25*	4,75	200/90	0,75/3,0	2650	1100	1560	2700
	<b>20/30</b>	2020	3,00	2,00*	4,50	200/90	0,75/3,0	3100	1100	1560	3050
	<b>25/25</b>	2520	2,50	1,50*	3,50	200/90	0,75/3,0	3600	1100	1560	3600
	<b>30/20</b>	3020	2,00	1,20*	3,00	200/90	0,75/3,0	4100	1100	1560	4300
	<b>40/15</b>	4020	1,50	1,00*	2,00	200/90	0,75/3,0	5100	1100	1560	5600

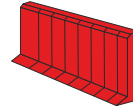
\* for stainless steel folding is needed to order hardened tools for stainless

# TSM STANDARD TOOLS

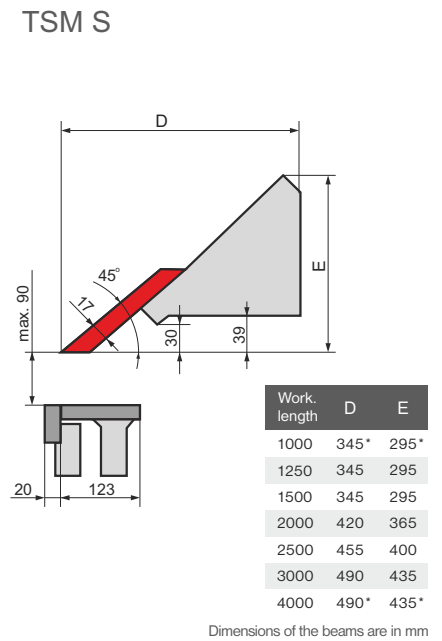
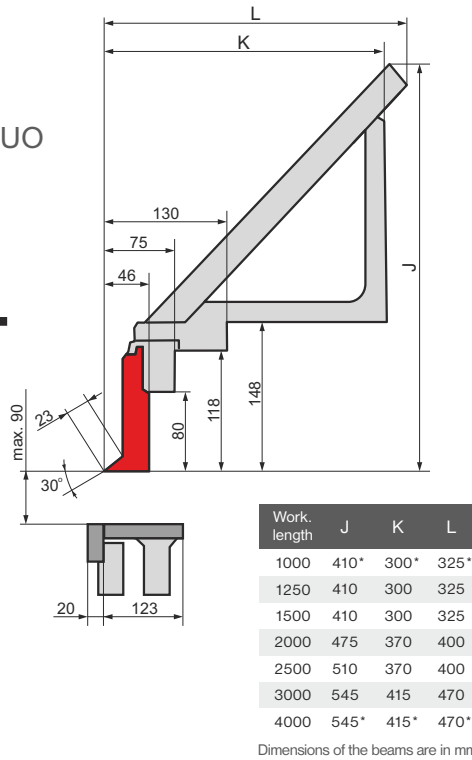
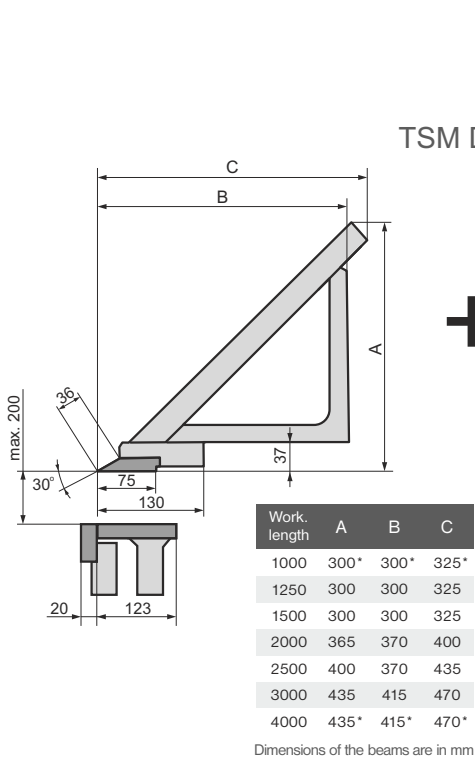
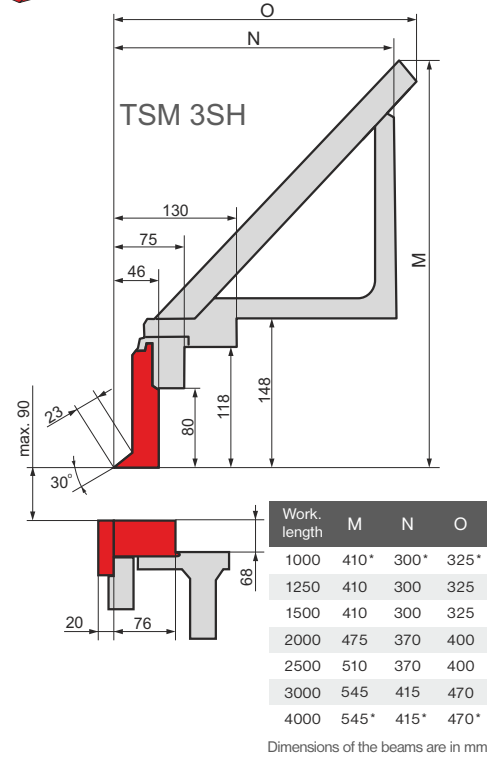
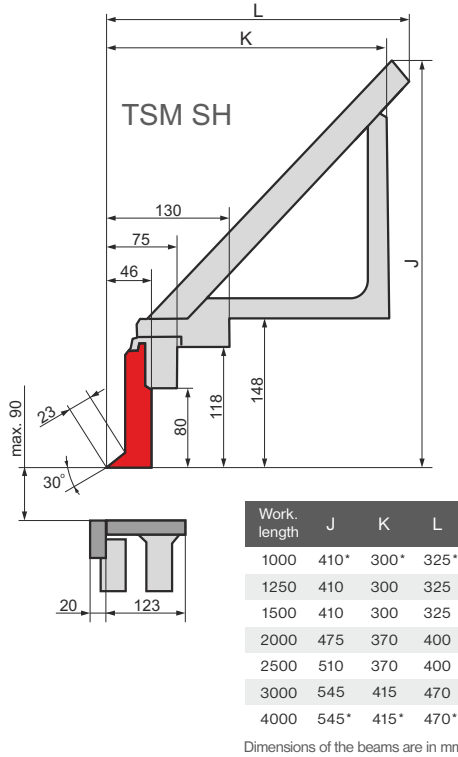
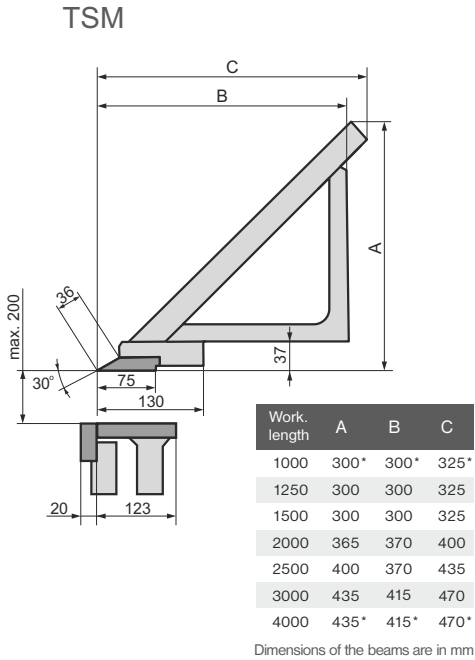
TSM, TSM SH, TSM 3SH, TSM DUO, TSM S



Gray tools - blades



Red tools - segments (divided blade)



Other shapes and dimensions of tools consult the manufacturer. \*Dimensions are informative