



Motorized folding machines TFM

TFM, TFM S, TFM SH, TFM 3SH

Motorized folding machines TFM are representative of light machines, they are characterized by speed, cost-effectiveness in the production of components made of thin sheets of different materials.

Eccentric drive of the clamping beam and fast adjustment of the folding beam to the desired thickness of the material in conjunction with optimal position and an appropriate stop allow for easy operation by a foot pedal.

Opening the clamping beam simultaneously with the return movement of the bending beam shortens the time-cycle of the machine.

The folding beam is equipped with a system for adjusting the crowning of the rail for precise folding of even long products.

These machines cover a wide range of different fields of use for manufacture of thin sheet metal such as construction, service centres, plumbing, etc.

STANDARD EQUIPMENT:

- tools according type of machines (page 7)
- manual adjustment of one folding angle, type MA (page 21)
- manual crowning adjustment for folding beam
- foot switch
- 3x400V, 5 meter cable

SPECIAL EQUIPMENT:

- potentiometer for adjustment angle PT1 (page 21)
- touch control system NT1 (page 21)
- touch control system NT3 (page 22) with motorized back gauge 1000mm (page 25)
- balls for back gauge
- squaring arm on right or left side for back gauge
- extension of back gauge (1500mm)
- manual back gauge MOD, MPD (page 25)
- blades and segments for stainless steel
- special shapes of blades and segments
- quick change segments
- marking segments with width in mm
- safety wire barrier
- extra foot switch (for 2. operator)
- tool cart
- power supply 3x230V
- customer colours
- welded frame for transport

For TFM folding machines we recommend:
Motorized shears **MLS**

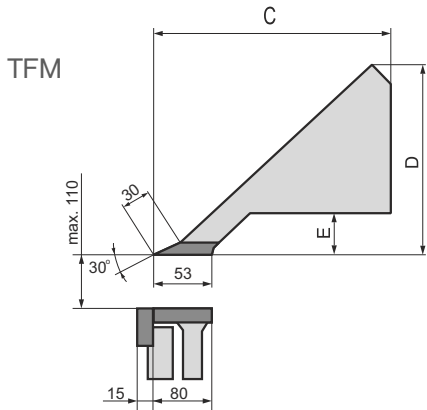
TECHNICAL PARAMETERS

Model		Working length mm	Max. sheet thickness steel 400N/mm ² mm	Max. sheet thickness stainless 600N/mm ² mm	Max. sheet thickness aluminium 275N/mm ² mm	Opening blade/segment mm	Motor of clamp./ folding beam kW	Length mm	Width mm	Height mm	Weight kg	
TFM, TFM S TFM SH	TFM 3SH	10/22	1020	2,20	1,50*	3,25	110	0,37/0,75	1650	700	1100	670
		12/20	1270	2,00	1,30*	3,00	110	0,37/0,75	1900	700	1100	750
		15/17	1520	1,75	1,20*	2,50	110	0,37/0,75	2150	700	1100	810
		20/15	2020	1,50	0,80*	2,00	110	0,37/0,75	2650	700	1100	1050
		25/12	2520	1,25	0,60*	1,50	110	0,37/0,75	3150	700	1100	1290
		30/10	3020	1,00	0,60*	1,50	110	0,37/0,75	3650	700	1100	1610

* for stainless steel folding is needed to order hardened tools for stainless

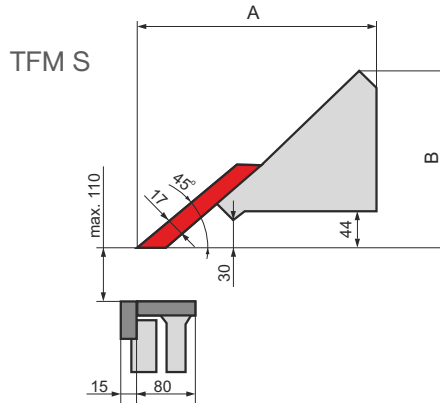
TFM STANDARD TOOLS

TFM, TFM S, TFM SH, TFM 3SH



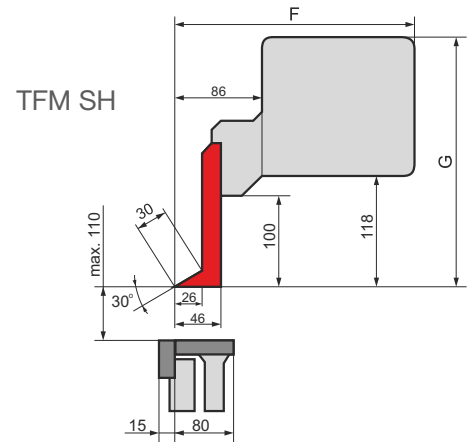
Work. length	C	D	E
1000	220	194	44
1250	220	194	44
1500	225	200	44
2000	258	232	44
2500	258	232	44
3000	262	232	44

Dimensions of the beams are in mm



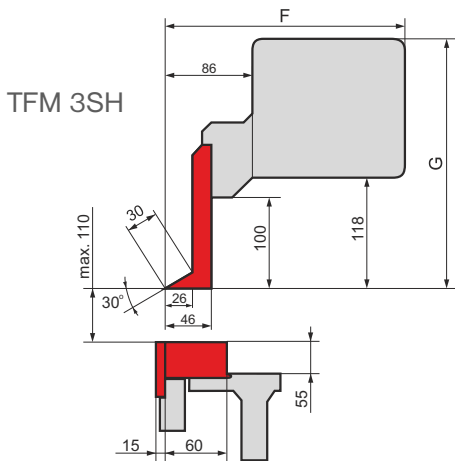
Work. length	A	B
1000	234	198
1250	234	198
1500	258	215
2000	258	215
2500	310	265
3000	343	303

Dimensions of the beams are in mm



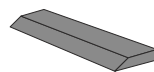
Work. length	F	G
1000	240	300
1250	240	300
1500	270	300
2000	290	320
2500	290	320
3000	290	320

Dimensions of the beams are in mm

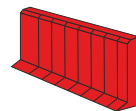


Work. length	F	G
1000	240	300
1250	240	300
1500	270	300
2000	290	320
2500	290	320

Dimensions of the beams are in mm



Gray tools - blades



Red tools - segments (divided blade)

Other shapes and dimensions of tools consult the manufacturer. *Dimensions are informative