



Motorized folding machines MAXI PLUS

MAXI PLUS, MAXI PLUS SH, MAXI PLUS 3SH, MAXI PLUS DUO

Motorized folding machines MAXI PLUS are the most powerful devices of their category available on the market. Reinforced successful construction of the Maxi type allows to increase the capacity of folding the material thickness from 2mm to 8mm and a length of material being from 2m to 5m.

High clamping forces are provided by a pair of trapezoidal screws, the dual drive of the folding beam, quality tools (strength up to 1100N/mm²) and the DUO system provide the machine with high flexibility. In the lengths from 4m, the machine is standard equipped with a pair of foot pedals.

When handling long and heavy panels, a motorized back gauge can be suitably used, which pushes the material into the folding and allows you to operate the machine with only one operator. The machine enables high opening (up to 350mm). The machines are equipped with tools (segments and blades) of high strength steel (1100N/mm²). The version DUO provides a wide range of possibilities and the appropriate control system increases flexibility and productivity. It is suitable for folding various types of thick materials, especially stainless steel products.

STANDARD EQUIPMENT:

- tools according type of machines (see page 19)
- hardened tools material for stainless
- touch control system NT1 (see page 21)
- manual crowning adjustment for folding beam
- foot switch
- storage for blade (only for MAXI PLUS DUO)
- 3x400V, 5 meter cable

SPECIAL EQUIPMENT:

- touch control system NT3, NT5 (page 22) or FF101 (page 23) with motorized back gauge 1000mm (page 25)
- touch control system FF-101 (page 23) with motorized back gauge for shape U, J, L and T (page 26)
- balls for back gauge
- squaring arm on right or left side for back gauge
- extension of back gauge (1500, 2000, 2500, 3000mm)
- manual back gauge MOD, MPD (see page 25)
- motorized adjustment of folding beam
- special shapes of blades and segments
- quick change segments
- marking segments with width in mm
- safety wire barrier or light barrier
- extra foot switch (for 2. operator)
- tool cart
- power supply 3x230V
- customer colours
- welded frame for transport

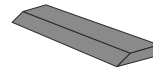
For **MAXI PLUS** folding machines we recommend
Motorized shears **TKS** or **THS**

TECHNICAL PARAMETERS

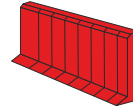
| Model | Working length mm | Max. sheet thickness steel 400N/mm ² mm | Max. sheet thickness stainless 600N/mm ² mm | Max. sheet thickness aluminium 275N/mm ² mm | Opening blade/segment mm | Motor of clamp./ folding beam kW | Length mm | Width mm | Height mm | Weight kg | |
|--|----------------------|--|--|--|--------------------------------|--|--------------|-------------|--------------|--------------|-------|
| MAXI PLUS MAXI PLUS SH MAXI PLUS DUO | 20/80 | 2020 | 8,00 | 5,00 | 10,00 | 350/240 | 4/2x4 | 3520 | 1300 | 1750 | 5350 |
| | 25/70 | 2520 | 7,00 | 4,20 | 8,00 | 350/240 | 4/2x4 | 4020 | 1300 | 1750 | 6080 |
| | 30/60 | 3020 | 6,00 | 3,50 | 7,00 | 350/240 | 4/2x4 | 4520 | 1300 | 1750 | 6950 |
| | 40/40 | 4020 | 4,00 | 2,50 | 5,00 | 350/240 | 4/2x4 | 5540 | 1300 | 1760 | 8150 |
| | 45/30 | 4520 | 3,00 | 1,50 | 4,00 | 350/240 | 4/2x4 | 6040 | 1300 | 1760 | 9100 |
| | 50/20 | 5020 | 2,00 | 1,20 | 3,00 | 350/240 | 4/2x4 | 6540 | 1300 | 1760 | 10230 |

MAXI PLUS STANDARD TOOLS

MAXI PLUS, MAXI PLUS SH, MAXI PLUS 3SH, MAXI PLUS DUO

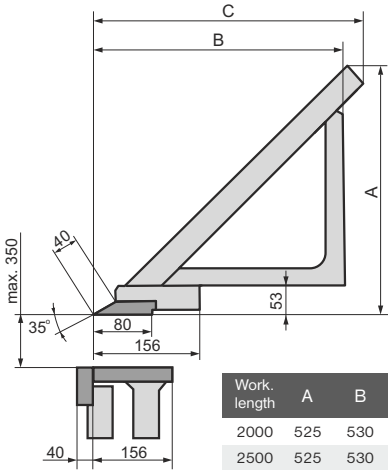


Gray tools - blades



Red tools - segments (divided blade)

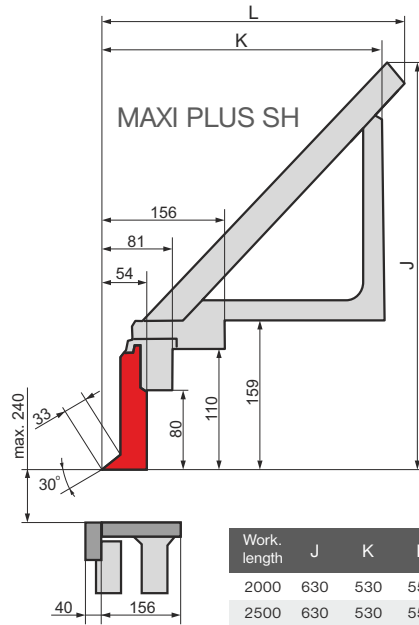
MAXI PLUS



| Work. length | A | B | C |
|--------------|-----|-----|-----|
| 2000 | 525 | 530 | 555 |
| 2500 | 525 | 530 | 555 |
| 3000 | 525 | 530 | 555 |
| 4000 | 560 | 530 | 590 |
| 4500 | 560 | 530 | 590 |
| 5000 | 585 | 545 | 615 |

Dimensions of the beams are in mm

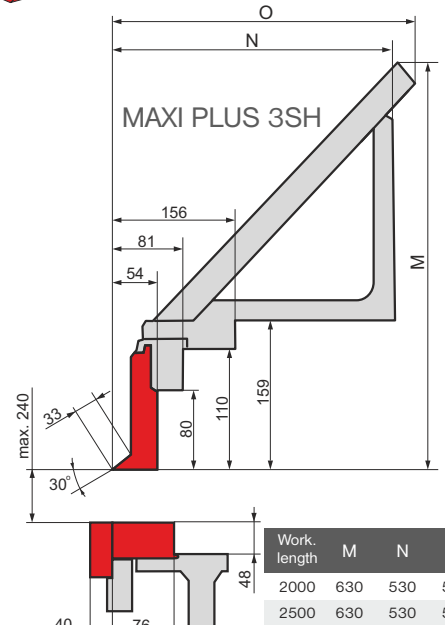
MAXI PLUS SH



| Work. length | J | K | L |
|--------------|-----|-----|-----|
| 2000 | 630 | 530 | 555 |
| 2500 | 630 | 530 | 555 |
| 3000 | 630 | 530 | 555 |
| 4000 | 665 | 530 | 590 |
| 4500 | 665 | 530 | 590 |
| 5000 | 690 | 545 | 615 |

Dimensions of the beams are in mm

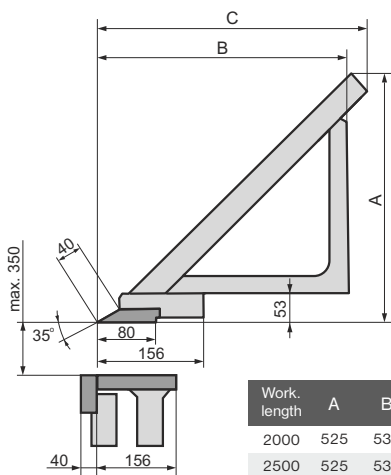
MAXI PLUS 3SH



| Work. length | M | N | O |
|--------------|-----|-----|-----|
| 2000 | 630 | 530 | 555 |
| 2500 | 630 | 530 | 555 |
| 3000 | 630 | 530 | 555 |
| 4000 | 665 | 530 | 590 |
| 4500 | 665 | 530 | 590 |
| 5000 | 690 | 545 | 615 |

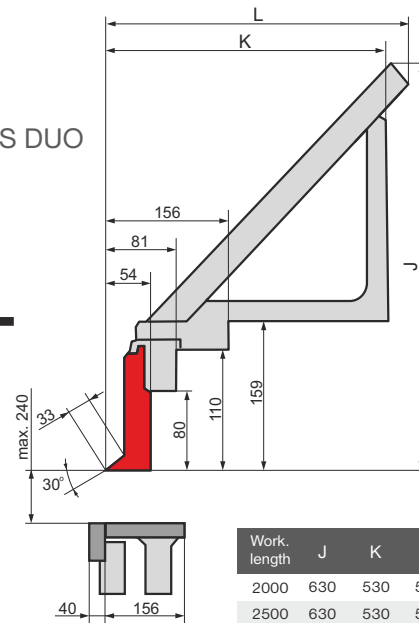
Dimensions of the beams are in mm

MAXI PLUS DUO



| Work. length | A | B | C |
|--------------|-----|-----|-----|
| 2000 | 525 | 530 | 555 |
| 2500 | 525 | 530 | 555 |
| 3000 | 525 | 530 | 555 |
| 4000 | 560 | 530 | 590 |
| 4500 | 560 | 530 | 590 |
| 5000 | 585 | 545 | 615 |

Dimensions of the beams are in mm



| Work. length | J | K | L |
|--------------|-----|-----|-----|
| 2000 | 630 | 530 | 555 |
| 2500 | 630 | 530 | 555 |
| 3000 | 630 | 530 | 555 |
| 4000 | 665 | 530 | 590 |
| 4500 | 665 | 530 | 590 |
| 5000 | 690 | 545 | 615 |

Dimensions of the beams are in mm

Other shapes and dimensions of tools consult the manufacturer. *Dimensions are informative