



Motorized folding machines MAXI

MAXI, MAXI SH, MAXI 3SH, MAXI DUO

Folding machines type MAXI are among the best performing ones in terms of capacity resources when folding the material up to a length of 4,5m at a thickness of 7mm. Load-bearing parts of the machine are made as massive welded steel construction which, coupled with powerful motors, provides the required performance parameters. A pair of trapezoidal screws drives the clamping beam, which leads out the required pressure force for the massive machine table. The folding beam has also a dual drive, which eliminates the twisting, especially during longer working lengths.

When handling long and heavy panels, the motorized back gauge can be used suitably, which pushes the material into the folding space and allows you to operate the machine with only one operator. Machines are equipped with tools (segments and blades) of high strength steel (1100N/mm²). The machine enables high opening (up to 300mm). The version DUO provides a wide range of possibilities, and the appropriate control system increases flexibility and productivity. It is suitable for folding various types of raw materials, especially stainless steel products.

STANDARD EQUIPMENT:

- tools according type of machines (page 17)
- hardened tools material for stainless
- manual adjustment of one folding angle, type MA (page 21)
- manual crowning adjustment for folding beam
- foot switch
- storage for blade (only for MAXI DUO)
- 3x400V, 5 meter cable

SPECIAL EQUIPMENT:

- potentiometer for adjustment angle PT1 (page 21)
- touch control system NT1 (page 21)
- touch control system NT3, NT5 (page 22) or FF101 (page 23) with motorized back gauge 1000mm (page 25)
- touch control system FF-101 (page 23) with motorized back gauge for shape U, J, L and T (page 26)
- balls for back gauge
- squaring arm on right or left side for back gauge
- extension of back gauge (1500, 2000, 2500, 3000mm)
- manual back gauge MOD, MPD (page 25)
- motorized adjustment of folding beam
- special shapes of blades and segments
- quick change segments
- marking segments with width in mm
- safety wire barrier or light barrier
- extra foot switch (for 2. operator)
- tool cart
- power supply 3x230V
- customer colours
- welded frame for transport

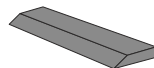
For MAXI folding machines we recommend:
Motorized shears TKS or THS

TECHNICAL PARAMETERS

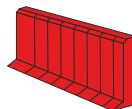
Model		Working length mm	Max. sheet thickness steel 400N/mm ² mm	Max. sheet thickness stainless 600N/mm ² mm	Max. sheet thickness aluminium 275N/mm ² mm	Opening blade/segment mm	Motor of clamp/ folding beam kW	Length mm	Width mm	Height mm	Weight kg
MAXI 3SH MAXI SH MAXI DUO	15/70	1520	7,00	4,20	8,00	300/190	2,2/5,5	2800	1160	1700	4025
	20/60	2020	6,00	3,50	7,00	300/190	2,2/5,5	3300	1160	1700	4650
	25/50	2520	5,00	3,00	6,00	300/190	2,2/5,5	3800	1160	1700	5270
	30/40	3020	4,00	2,50	5,00	300/190	2,2/5,5	4300	1160	1700	6090
	40/30	4020	3,00	1,50	4,00	300/190	2,2/5,5	4800	1160	1700	7460
	45/20	4520	2,00	1,20	3,00	300/190	2,2/5,5	5330	1160	1700	8390

MAXI STANDARD TOOLS

MAXI, MAXI SH, MAXI 3SH, MAXI DUO

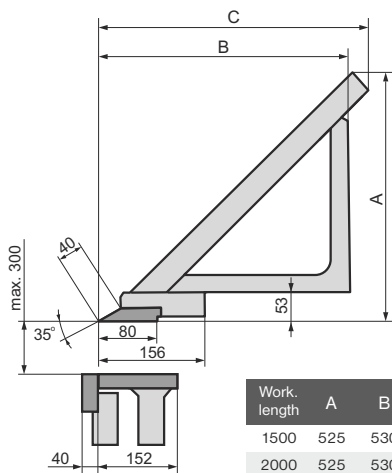


Gray tools - blades



Red tools - segments (divided blade)

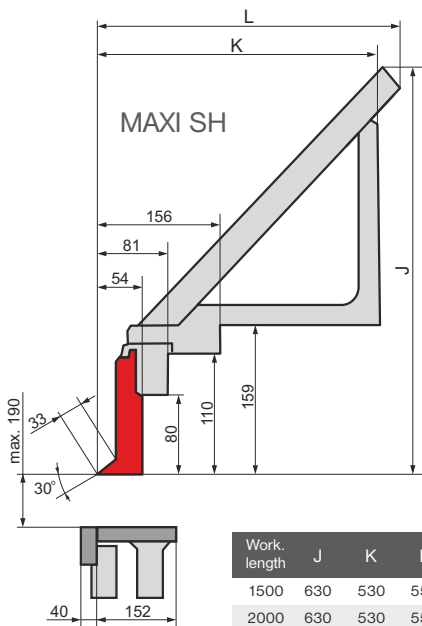
MAXI



Work. length	A	B	C
1500	525	530	555
2000	525	530	555
2500	525	530	555
3000	530	530	560
4000	535	530	565
4500	535	530	565

Dimensions of the beams are in mm

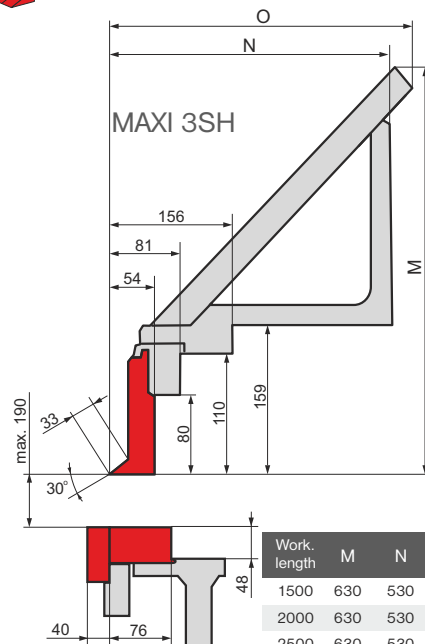
MAXI SH



Work. length	J	K	L
1500	630	530	555
2000	630	530	555
2500	630	530	555
3000	635	530	560
4000	640	530	565
4500	640	530	565

Dimensions of the beams are in mm

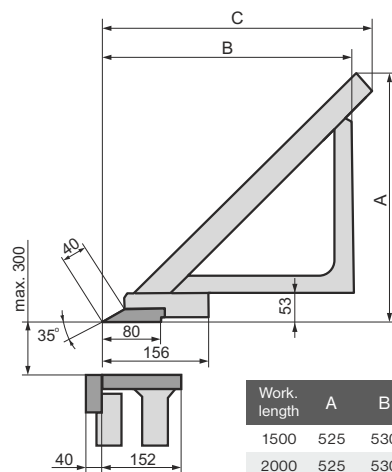
MAXI 3SH



Work. length	M	N	O
1500	630	530	555
2000	630	530	555
2500	630	530	555
3000	635	530	565
4000	640	530	565
4500	640	530	565

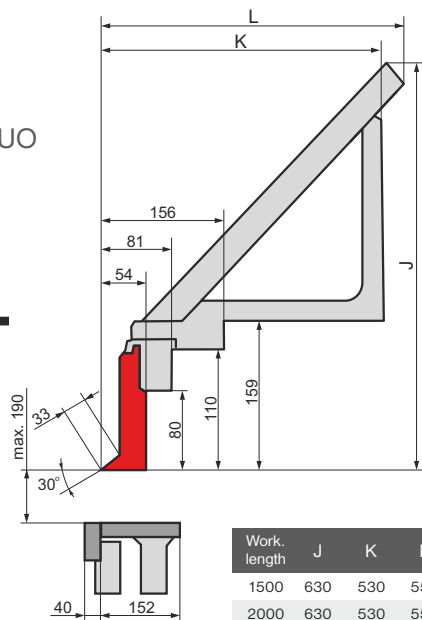
Dimensions of the beams are in mm

MAXI DUO



Work. length	A	B	C
1500	525	530	555
2000	525	530	555
2500	525	530	555
3000	530	530	560
4000	535	530	565
4500	535	530	565

Dimensions of the beams are in mm



Work. length	J	K	L
1500	630	530	555
2000	630	530	555
2500	630	530	555
3000	635	530	560
4000	640	530	565
4500	640	530	565

Dimensions of the beams are in mm

Other shapes and dimensions of tools consult the manufacturer. *Dimensions are informative